

# THERMAL BARRIER COATING EXCLUSIVE ROOF

RARE EARTH & COATING

## EASYTO (SINGAPORE) PTE LTD

2 Buroh Crescent #08-01D  
ACE @ Buroh  
Singapore 627546

🌐 [www.easyto.sg](http://www.easyto.sg)  
✉ [enquiry@easyto.sg](mailto:enquiry@easyto.sg)  
☎ +65 8901 0988



# ONE SQUARE METER PER PAINT PLANT TWO MORE TREES

Each Coating Of 1 Square Meter Saves CO<sub>2</sub>  
Emissions Of About 36,1kg/ Year  
Each Tree Can Absorb Or Store  
About 18kg/ Year Of CO<sub>2</sub>



\*数据来自国家稀土研究院权威测试，测试地点为天津  
因电费、用电量与日照条件不同，各地节能数据略有差异

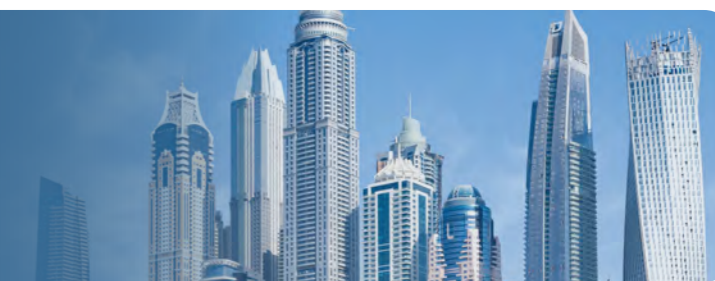
# ALL OBJECTS CAN BE COATED WITH A TEMPERATURE DIFFERENCE OF UP TO 30°C

FIGHTER TAIL FLAME TEMPERATURE UP TO ABOUT 2000 C TAIL NOZZLE  
METAL PROTECTED BY RARE-EARTH THERMAL BARRIER  
COATING AND STABLE INVARIANCE

\*TEMPERATURE FLUCTUATES UNDER  
DIFFERENT ENVIRONMENTAL CONDITIONS

## ARCHITECTURAL FIELD

Color Steel Tile Plant, Farm, Residence,  
School, Hospital,  
Granary And Other Types Of Building  
Roof And Exterior Wall



## INDUSTRIAL FIELD

Oil Storage Tank, Container,  
Power Distribution Cabinet,  
Power Station, Fan Engine Room  
Isosurfac



## MILITARY AND AVIATION FIELDS

Military Vehicles, Radar Antennas,  
Aircraft Engines, Ground Gas Turbine And  
Other External Surfaces

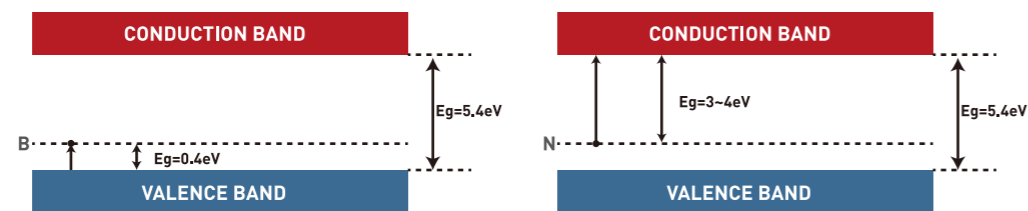


THE RADIANT ENERGY OF THE SUN TO THE EARTH'S SURFACE IS ABOUT 750W/M<sup>2</sup> PER SECOND

The Continuous Radiation Of Sunlight On The Surface Of The Object Will Cause The Accumulation Of Heat And Cause The Temperature To Rise, Such As The Metal Plate In The Summer Sunlight Exposure, Its Surface Can Reach A High Temperature Of 70°C-90 °c. The Increase In The Temperature Of The Exterior And Top Surfaces Of The Building Will Cause The Indoor Temperature To Rise, Which Will Increase The Electricity Consumption Of The Cooling Home Such As Air Conditioning.

## BAND THEORY

The Energy Range Of Sunlight Is 1.8-3.1eV In The Visible Region And 0.5-1.8eV In The Near Infrared Region. If The Band Gap Width Of A Material Is Between 1.8-3.1eV, Then The Material Partially Absorbs Visible Light And Shows A Certain Color Similarly, When The Band Gap Of A Material Is Greater Than 1.8eV, There Is No Absorption Of Near Infrared Light



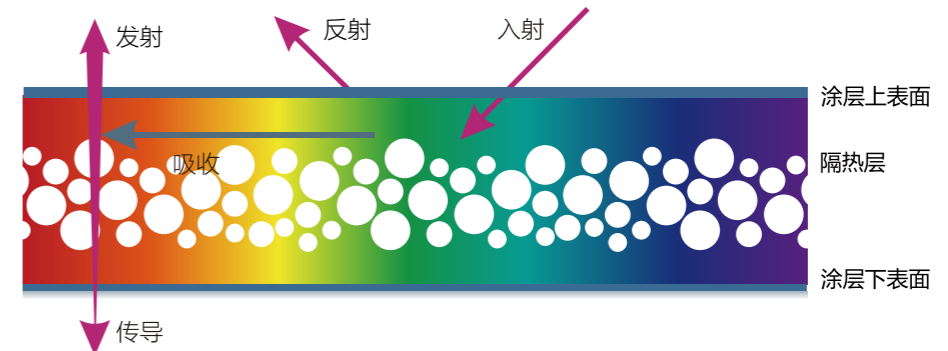
# 热障涂层 断热原理

## THERMAL BARRIER COATING

### COATING STRUCTURE AND HEAT CONDUCTION PATH DIAGRAM

Thermal Barrier The Use Of Low Thermal Conductivity Materials To Block Heat Conduction To Achieve Thermal Insulation Thermal Reflection Reflects Solar Radiation Energy In The 400 M-2500nm Band To Reduce The Absorption Of Solar Energy The Thermal Radiation Re-transmits The Solar Radiation Energy Absorbed By The Coating To The Air At A Certain Wavelength

HIGH REFLECTION, HIGH RADIATION,  
LOW THERMAL CONDUCTIVITY FILLER



# THE THERMAL REFLECTANCE OF THE REFLECTIVE INSULATION COATING IS MORE THAN 90%

For Buildings Can Save 15-20% Of The Air Conditioning Costs

INSPECTION REPORTS

THERMAL REFLECTANCE 90%

THE SURFACE TEMPERATURE OF THE OBJECT DROPS BY 15-20°C

SAVE 15-20% ON AIR CONDITIONING COSTS



## PRODUCT PARAMETERS



The Total Energy Consumption Of Buildings In China Has Reached More Than 46% Of The Total Energy Consumption Of Society

At Present, China's Annual New Construction Area Is About 200 Billion Square Meters

More Than 99% Of Them Are High-energy Buildings

If These Buildings Adopt Effective Energy-saving Measures, It Will Save At Least 600 Billion Yuan A Year

CHINA'S TOTAL BUILDING ENERGY CONSUMPTION HAS REACHED MORE THAN 46% OF THE TOTAL SOCIAL ENERGY CONSUMPTION AT PRESENT, CHINA'S ANNUAL NEW CONSTRUCTION AREA IS ABOUT 200 BILLION SQUARE METERS MORE THAN 99% OF THEM ARE HIGH-ENERGY CONSUMPTION BUILDINGS IF ALL THESE BUILDINGS ADOPT EFFECTIVE ENERGY CONSERVATION MEASURES, THEY WILL SAVE AT LEAST 600 BILLION RMB PER YEAR



## INSPECTION REPORTS

# PRODUCT SELLING POINTS

**STORAGE TIME:** 12 months closed in a cool and ventilated place away from sunlight.

**CORROSION:** None

**TOXICITY:** non-toxic

**ANTIMICROBIAL AND ANTIFUNGAL:** good

**FILM THICKNESS:** wet film thickness 350μm  
Dry film thickness 220-240μm

**AVERAGE CONSUMPTION:** Each set can be painted about 50μm

### PROPOSED CONSTRUCTION

**AMBIENT TEMPERATURE:** 10-30°C

**AMBIENT HUMIDITY:** 50%-75%

(Note: In case of special climate and environmental conditions,

both parties shall communicate in a timely manner and adopt appropriate methods for construction)



### PATENTS AND HONORS

**M**inistry Of Industry And Information Technology  
17th China Expo Specialized Special New Small  
Giant Enterprise New Material Single Champion

**N**ational 13th Five-year Plan Scientific And Tech-  
nological Innovation Achievement Exhibition

**T**he 12th China Baotou Rare Earth Industry  
International Forum

**F**irst Prize Of Tianjin Intellectual Property Innova-  
tion, Entrepreneurship, Invention And Design  
Competition

**I**nnovative Smes In Sichuan Province

**S**cience And Technology Small And Medi-  
um-sized Enterprises In Sichuan Province

**R**are Earth Society Governing Unit



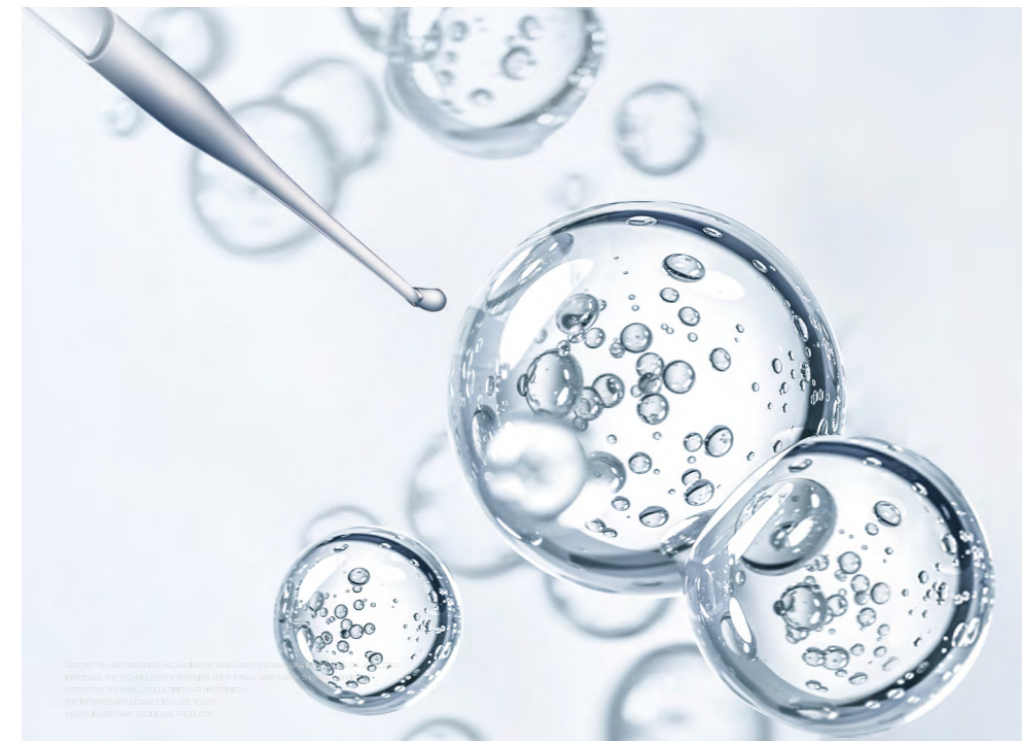
# PRODUCT SELLING POINTS

— 种 神 奇 的 断 热 稀 土 涂 层

RARE EARTH/INSULATION IS JUST THAT DIFFERENT

## RARE EARTH MATERIALS ARE HIGHLY HEAT RESISTANT

Extract The Heat Cutting Mechanism Of Rare Earth Thermal Barrier Coating On Jet Tail. The Introduction Of Heat-breaking Rare Earth Thermal Barrier Technology Extends The Thermal Conductivity Path Indefinitely While The Infrared Reflectivity Is Close To 93%, Which Is Much Higher Than That Of Traditional Products



# THE BUILDINGS ARE MORE BEAUTIFUL

Much Higher Than The Thermal Insulation Performance Of Traditional Products  
Color Customization Multi-color Option Does Not Affect The Original Architectural Style And Make The Original Building More Beautiful



MUCH HIGHER THAN THE TRADITIONAL PRODUCT MULTI-COLOR OPTIONAL  
SPACE GRAY PEARLESCENT WHITE RED THREE COLOR OPTIONAL  
DOES NOT AFFECT THE ORIGINAL ARCHITECTURAL STYLE  
AND MAKE THE ORIGINAL BUILDING MORE BEAUTIFUL

# NOT DRIPPING WITH WATER

No Fear Of Wind, Sun And Rain  
The Coating Has The Same Miraculous Hydrophobicity As A Lotus Leaf  
Maintains The Surface Of The Object For A Long Time  
Thermal Insulation And Self-cleaning



NOT AFRAID OF WIND, SUN, RAIN  
THE COATING HAS THE SAME MIRACULOUS HYDROPHOBICITY FUNCTION AS A LOTUS LEAF  
KEEP THE ROOF FRESH  
THERMAL INSULATION IS MORE SELF-CLEANING

MUCH HIGHER THAN THE TRADITIONAL PRODUCTS  
BY PROVIDING THE BEST QUALITY OF MATERIALS THE THERMAL INSULATION PERFORMANCE  
IS MUCH HIGHER THAN TRADITIONAL PRODUCTS

## UNIQUE HIERARCHICAL HEAT CUT-OFF MECHANISM

BIOMIMETIC THERMAL INSULATION PRINCIPLE MULTI-LEVEL PROGRESSIVE THERMAL INSULATION

### THE FIRST LEVEL: RARE EARTH THERMAL BARRIER LAYER

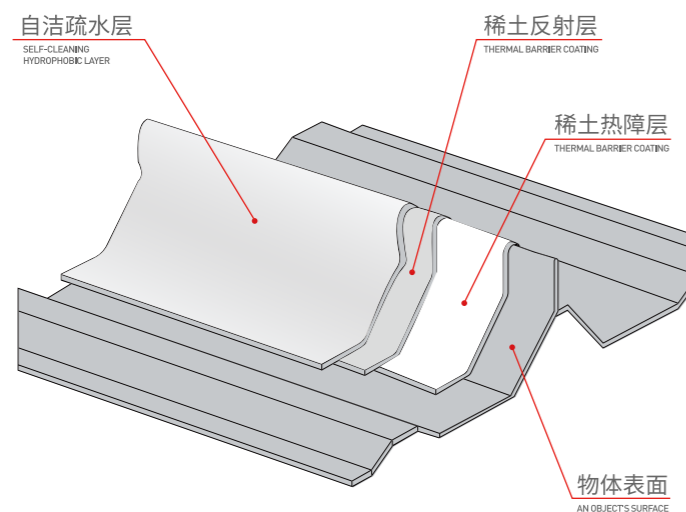
The Porous Superimposed Thermal Conductivity Path Is Used To Extend The Heat Propagation Route Together With The Inner Layer Of Rare Earth Crystal Reflectors, It Forms The First Basic Thermal Barrier And Can Emit Redundant Heat Into The Air

### THE SECOND STAGE: RARE EARTH REFLECTOR

The Unique Photomagnetic Effect Of Rare Earth Crystals Is Used To Reflect The Light Waves In The Range Of 200-2500nm Reducing The Thermal Activity Of The Surface Of An Object Reduces The Temperature Gradient So That The Internal Heating Of The Object Slows Down On The Contrary, Winter Heat Is Not Easy To Dissipate And Insulation Is Stronger

### THE THIRD LEVEL: SELF-CLEANING HYDROPHOBIC LAYER

A Superstrong Hydrophobic Material Was Developed Based On The Non-stick Pan Surface Material "Teflon" Like Lotus Leaf Self-cleaning Anti-uv Anti-oxidation Long-lasting Effective Long-lasting Color



## ENABLING CARBON NEUTRALITY

CONTRIBUTE CHINA'S STRENGTH TO THE CAUSE OF WORLD ENERGY CONSERVATION

SUPERENERGY K VALUE  
SUPERENERGY THERMAL INSULATION FACTOR  
PERFECT TRANSFORMATIO



## PROFESSIONAL CONSTRUCTION

High-quality Strict Control Efficient  
Each Construction Master Has Undergone More Than 80 Hours Of Rigorous Training  
Surface Cleaning, Substrate Rust Reduction And Spraying Are Strictly Controlled  
From Aerial Work To Ground Construction  
Safe, High-quality And Efficient



# CASE SHOW (PART)



As Of January 2023, The Products Have Been Applied To Nearly 100 Projects

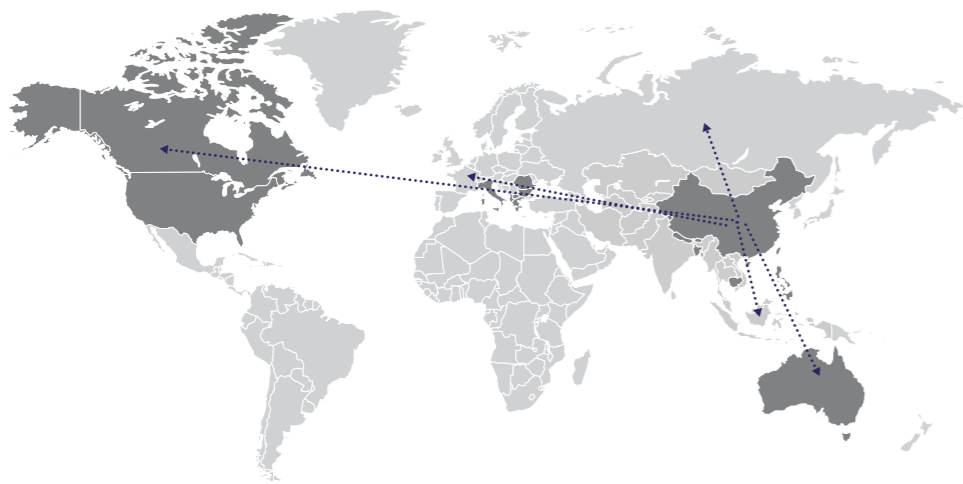
The Total Completed Area Is 120,000 Square Meters

The Application Projects Are Distributed To Zhangjiagang In Jiangsu Province

In The East And Kashgar In Xinjiang In The West

South To Sanya, Hainan, North To Urumqi, Xinjiang

It Has Good Performance In All Kinds Of Climatic Zones In China.



## COOPERATING ORGANIZATION

# 07

COMMAND BUILDING OF AN AIR BASE OF THE PEOPLE'S LIBERATION ARMY

SHENZHEN NATIONAL GENE BANK

BAOTOU STEEL GROUP COMPANY INFORMATION BUILDING

SHANGHAI SHUN YUAN MANSION / HILTON SUZHOU / WUXI COAST CITY

GUANGZHOU TAIKOO HUI/GUANGZHOU OCT / GUANGZHOU POLY FISH PEARL PORT

GUANGZHOU FORTUNE CENTER

KUNMING GOVERNMENT AFFAIRS SERVICE CENTER / ZHENJIANG PHOENIX SQUARE, XINJIANG

JINAN WEST RAILWAY STATION / PINGDU HIGH-SPEED RAILWAY STATION

CHANGYI HIGH-SPEED RAILWAY STATION

TENGZHOU HIGH-SPEED RAILWAY STATION / LAIXI HIGH-SPEED RAILWAY STATION



扫码关注“易小涂”

# EASYTO

**CHINA'S FIRST HIGH-TECH ENTERPRISE FOCUSING ON THE INNOVATION AND DEVELOPMENT OF RARE EARTH FUNCTIONAL MATERIALS INVENTOR OF THERMAL RARE EARTH**

A Set Of Research And Development, Production, Promotion, Sales As One, Focusing On Rare Earth Application Research And Development, Military Conversion To Civilian New High-tech Enterprises Sichuan Province Innovative Small And Medium-sized Enterprises, Sichuan Province Science And Technology Small And Medium-sized Enterprises, Rare Earth Society Director Unit Its Wholly-owned Subsidiary "China Thin Industry Development (Tianjin) Group Co., Ltd." Focuses On The Transformation Of Rare Earth Industry Achievements Its Holding Subsidiary "Zhongxi Easy Coating (Wuxi) International Trade Co., Ltd." Focuses On The Global Promotion And Sales Of Rare Earth Products A Joint Laboratory Was Established With Brire Rare Earth Research Institute Of Northern Rare Earth The Basic R&d Center Is Located In Tianjin, The Application R&d Center And The National Brand Operation Center Are Located In Chengdu, Sichuan Province



## “THE MIDDLE EAST HAS OIL, CHINA HAS RARE EARTHES”

The position of China's rare earth resources can be compared with that of Middle East oil, which has extremely important strategic significance We must do a good job in rare earth affairs and give full play to China's advantages in rare earth

摘自《邓小平语录》  
Chairman Deng

**GLOBAL PATENT, RARE EARTH IS KING**  
ONE OUT OF EVERY FIVE INVENTION PATENTS IN THE WORLD IS RELATED TO RARE EARTHS

**RARE EARTH APPLICATION, NO NEED TO WORSHIP THE OCEAN**  
CHINA HAS MORE RARE EARTH INVENTION PATENTS THAN THE REST OF THE WORLD COMBINED

**BASED ON RARE EARTH, THE POTENTIAL IS EASY**  
YITU IS COMMITTED TO THE APPLICATION, RESEARCH AND DEVELOPMENT, PROMOTION AND ACHIEVEMENT TRANSFORMATION OF RARE EARTH FUNCTIONAL MATERIALS IN THE CIVIL FIELD FOCUS ON RARE EARTHS, NEVER DIVERSIFIED



**JOIN US IN CONTRIBUTING TO  
GLOBAL ENERGY CONSERVATION**

INNOVATIVE INSULATION TECHNOLOGY FOR  
CARBON NEUTRALITY JOIN US IN CONTRIBUTING TO  
GLOBAL ENERGY CONSERVATION



## EASYTO (SINGAPORE) PTE LTD

2 Buroh Crescent #08-01D  
ACE @ Buroh  
Singapore 627546

🌐 [www.easyto.sg](http://www.easyto.sg)  
✉ [enquiry@easyto.sg](mailto:enquiry@easyto.sg)  
☎ +65 8901 0988

